

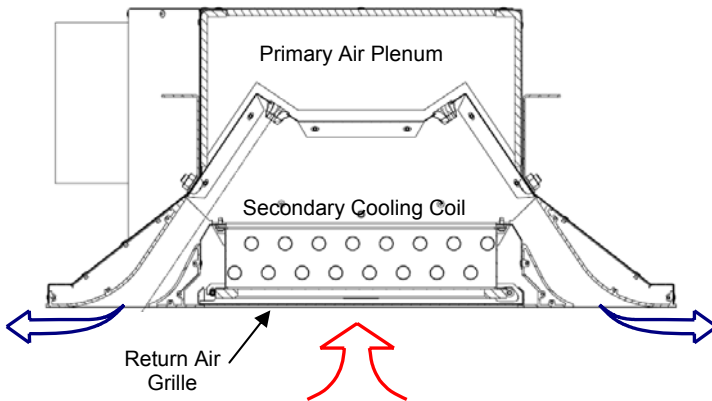


Active Chilled Beam ACB40-H

Dadanco ACB40-H 2-way Active Chilled Beams for healthcare applications incorporate new patented technologies to deliver a breakthrough for higher energy efficiency perimeter and centre zone healthcare and laboratory air conditioning using lower air quantities. Dadanco Active Chilled Beams provide efficient, effective and whisper-quiet air conditioning for almost any application.



Dadanco Pty Ltd Participates in the ECC programme for Active Chilled Beams
Check ongoing validity of the certificate:
www.eurovent-certification.com



ACB40-H incorporates 2-way supply air discharge with one piece perforated return air grille and a single horizontal secondary cooling coil.



Advantages of Active Chilled Beams ACB40-H in Healthcare Applications

- Compact dimensions and intrinsically smaller duct sizes offer real savings in ceiling space requirements for healthcare HVAC new construction and refurbishments.
- Factory assembled 'Swing-Down' coil assembly
- Fan power is dramatically reduced. The primary air is typically only 30% of the total air supplied by Dadanco Active Chilled Beams due to the use of efficient induction technology.
- Secondary air is induced over the secondary heat exchanger, delivering localized cooling, for **NO ADDITIONAL FAN ENERGY REQUIREMENT**
- Localized secondary air from the space minimizes cross-contamination between room spaces.
- Secondary cooling coil and internal mixing chamber of ACB40-H units are easily accessible for cleaning.
- ACB40-H Active Chilled Beams provide 2-way supply air distribution for perimeter or internal zone applications
- ACB40-H Active Chilled Beams are designed for 'Lay-In' installation in ceiling tile systems or in plasterboard ceilings using builders' ceiling frames (supplied by others)
- ACB40-H Active Chilled Beams deliver more cooling capacity using less treated air than any all-air system.
- Active Chilled Beams offer 2-stage capacity control through control of secondary water flow separate from primary air control.
- Noise radiated from Dadanco Active Chilled Beams is very low...
- Active Chilled Beams require minimal maintenance (no moving parts).

Application Data ACB40-H

COOLING	40 to 200 W/m ²
LENGTH	Nominal 600 x 1200mm grille to suit standard suspended ceiling tile systems or plasterboard ceilings. Unit lengths from 600mm to 1800mm available on request for any application
FEATURES	'Side' entry primary air connections 'Swing-Down' grille and coil for access to internal components for cleaning
HEIGHT	281mm
INSULATION	Internal thermal insulation in the primary air plenum is standard
GRILLE	2-way discharge supply air grille with one piece centre return air grille
CONTROL	ACB40-H units can be controlled individually or in groups of units

APPLICATIONS:

- Dadanco Active Chilled Beam ACB40-H is designed for use in perimeter or internal zone in-ceiling installations in:
- Hospitals & Healthcare Facilities
 - Laboratories where coil cleaning from the room space is required
 - Schools and Institutional Buildings

Proudly Australian



Owned, Manufactured & Supported



General Product Technical Data

ACB40-H 2-Way Discharge Active Chilled Beam			
	ACB40-H 0420	ACB40-H 1020	ACB40-H 1620
Nominal Grille Face Size:	600 x 600mm	600 x 1200mm	600 x 1800mm
Nominal Active Coil Length	420mm	1020mm	1620mm
Primary Air Range $\leq 125\text{Pa}$:	10 ~ 27 L/s	20 ~ 47 L/s	30 ~ 79 L/s
Nominal Cooling Capacity Range:	411 ~ 779 Watts	925 ~ 1718 Watts	919 ~ 2451 Watts
Configuration:	2-Pipe Only	2-Pipe or 4-Pipe	2-Pipe or 4-Pipe

NOTE: Nominal cooling capacities based on 2-pipe coil @ 24°C room air, 12°C primary air, 14°C Entering Secondary Water Temperature and Secondary Water Flow Rate to achieve average Leaving Water Temperature of 17°C ($\Delta T = 3^\circ\text{C}$) or minimum water flow of 0.03 L/s.

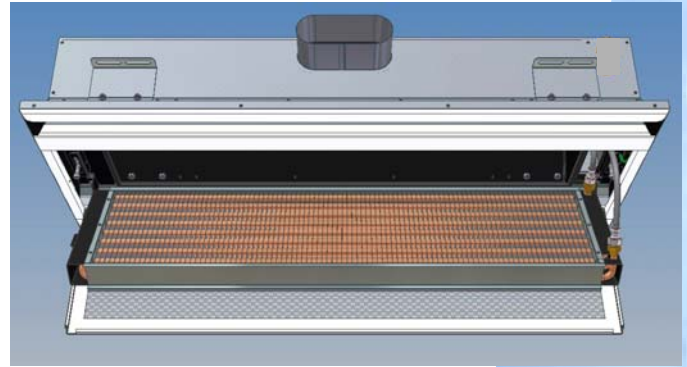
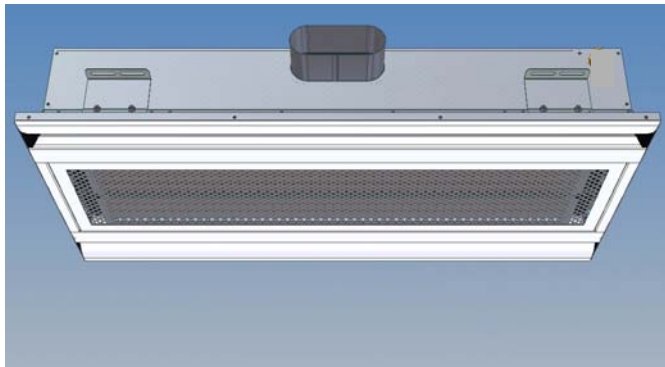
Primary Air Pressure $\leq 125\text{Pa}$.

Different performance results can be achieved for varying secondary water flow rates, entering water temperatures, primary air conditions and primary air pressures.

For selections at conditions and unit sizes other than those above please contact DADANCO for further assistance.

Swing-Down Coil Access

Dadanco's ACB40-H Active Chilled Beams for healthcare & laboratory applications features a 'swing-down' return air grille and secondary coil assembly to enable access to both sides of the secondary cooling coil and air mixing chamber for cleaning and sanitizing without removing the coil from the unit or the unit from the ceiling.



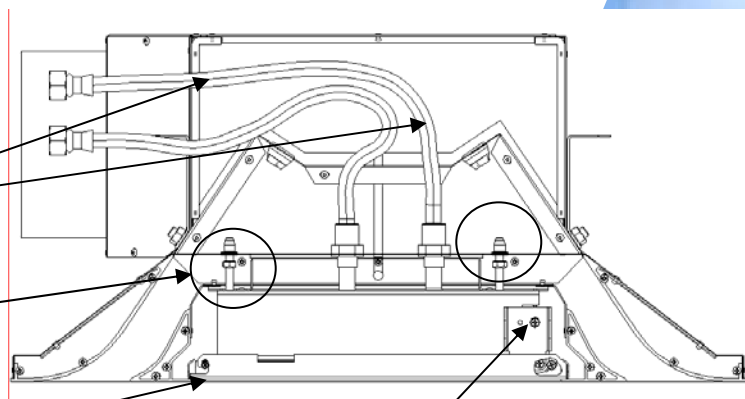
FEATURES

Dadanco Active Chilled Beam ACB40-H is factory assembled for easy installation and service access.

Flexible hoses by Contractor

Captive tool operated coil locking

Easy access one-piece return air panel



Secure hinged cooling coil pivot

DISCLAIMER

While every effort is made to ensure the details contained herein are kept up to date, in the interests of ongoing product development, Dadanco reserves the right to alter the information without notice

Issue 111109_V.4



Proudly Australian



89 South Road
HINDMARSH, SA 5007
Australia
Telephone +61 8 8346 3588
Facsimile +61 8 8346 7822
info@dadanco.com.au

www.dadanco.com.au

Owned, Manufactured & Supported